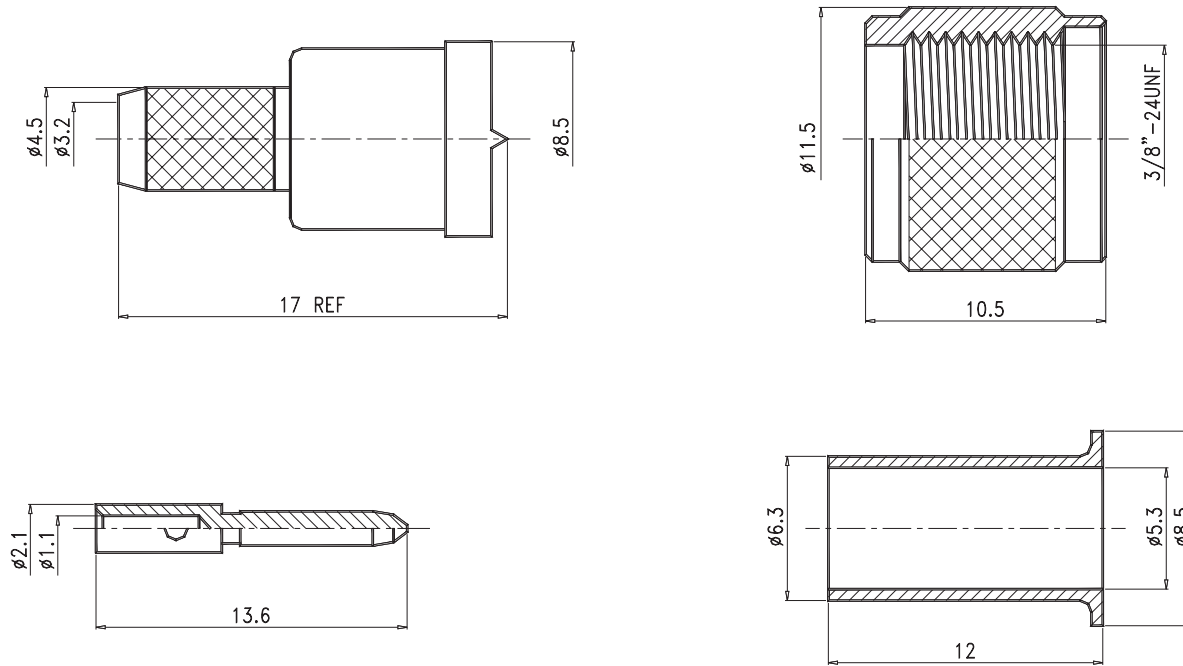


REVISION

REV	DATE	DESCRIPTION
△	9/03/20	INITIAL



5.	FERRULE	BRASS	1	Nickel
4.	SHELL	BRASS	1	Nickel
3.	INSULATION	DELRIN	1	NONE
2.	PIN	BRASS	1	GOLD
1.	BODY	BRASS	1	Nickel
NO.	DESCRIPTION	MATERIAL	Q'TY	FINISH

UNITS	SCALE	SIZE	TOLERANCE	DRAWN BY:	CHECKED BY:	CAD FILE
[in] mm	NTS	A	.X +/- 0.2 .XX +/- 0.1 .XXX +/- 0.05 ANGLE +/- 0.5			12-02F-3T-DGN
SHEET 1 OF 1						

PROPRIETARY AND CONFIDENTIAL
 THE INFORMATION IN THIS DRAWING IS THE SOLE PROPERTY OF TCC INDUSTRIES INC. ANY REPRODUCTION IN PART OR AS A WHOLE WITHOUT THE WRITTEN PERMISSION OF TCC INDUSTRIES INC. IS PROHIBITED.

DESCRIPTION
MiniUHF, Plug/Male, Straight, Crimp, for TCC Cable Group F



TCC INDUSTRIES INC.

7050 Village Drive unit E, Buena Park, CA 90621-2282
 Tel. 714.523.8885 - FAX. 714.562.0888
 E-Mail: info@tcinc.com Website: www.tcinc.com